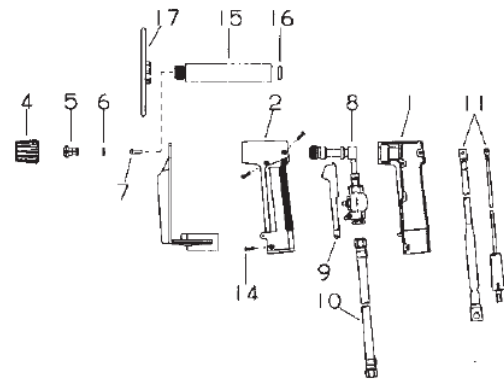


SLICE COMPLETE PACK PARTS LIST

Catalog No. 63-991-002



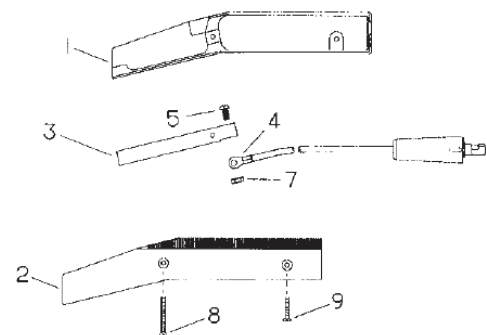
SLICE TORCH



ITEM	COMPLETE PACK	
	120 VAC	220 VAC
Tool Box, Case, Cart	63-991-002	63-991-005
Torch	94-134-034	94-134-034
Striker	03-003-006	03-003-006
Cordless Igniter	72-012-002	72-012-002
Extension	—	—
Shield	94-168-023	94-168-023
Coupling	94-777-111	94-777-111
Clamp (Red)	—	—
Clamp (Black)	—	—
Instruction Manual	—	—
Rods, 1/4" x 22"	89-250-845	89-250-845
Battery Box Assy.	25 uncoated	25 uncoated
Charging Cable	96-076-021	96-076-021
Battery Charger	96-130-297	96-130-296
O ₂ Regulator Assy.	—	—
Wrench	94-698-084	94-698-084
Wrench	94-960-064	94-960-064
O ₂ Cylinder 55 cu/ft	94-960-063	94-960-063
	94-208-002	—
ACCESSORIES		
3/8" Conversion Kit	94-463-032	94-463-032
3/8" Collet Chuck	94-158-045	94-158-045
Gloves	94-351-002	94-351-002
Harness Assy.	94-463-042	94-463-042
10' Cable/Hose Ext.	94-349-001	94-349-001
Shade #5 Goggles	96-130-294	96-130-294
O ₂ Regulator Assy.	94-349-001	94-349-001
O ₂ Cylinder 55 cu/ft	94-698-084	94-698-084
Oxygen Auxiliary Case	94-208-002	94-208-002
Extern/Shield Assy	94-134-046	94-134-046
	94-287-013	94-287-013
REPAIR PARTS		
Replacement Battery	94-134-046	94-134-046
Battery Box Assy.	96-076-018	96-076-018
	96-076-022	96-076-023

REF. NO.	DESCRIPTION	CATALOG NO.
	SLICE Torch Assembly (#1 Cable)	03-003-000
	SLICE Torch Assembly (#6 Cable)	03-003-001
	SLICE Torch Assembly (#10 Cable)	03-003-006
	SLICE Torch Assembly (Pigtail Cable)	03-003-008
1	Handle Assembly, Right Half	94-370-166
2	Handle Assembly, Left Half	94-370-167
3	Shield	94-777-109
4	1/4" Collet Nut Assembly	94-168-022
4	3/8" Collet Nut Assembly	94-168-024
5	1/4" Collet Chuck	94-158-048
5	3/8" Collet Chuck	94-158-045
6	Washer	94-940-109
7	Flashback Arrestor	94-305-009
8	Head Assembly	94-378-338
9	Lever Assembly	94-476-082
10	Oxygen Hose Assembly	94-396-193
11	Cable Assembly - #1	96-130-279
	Cable Assembly - #6	96-130-276
	Cable Assembly - #10	96-130-319
	Cable Assembly - Pigtail	96-130-324
13	#10-32 X 3/8" Screw	97-192-137
14	#6-32 X 9/16" Screw (3 Req'd.)	97-192-129
15	Extension - 6"	94-168-023
16	Washer	94-940-108
17	Extension Shield	94-777-111
	3/8" Conversion Kit	94-463-032

SLICE STRIKER



REF. NO.	DESCRIPTION	CATALOG NO.
	Striker Assembly	72-012-002
1	Handle Assembly (Right Half)	94-370-168
2	Handle Assembly (Left Half)	94-370-169
3	Striker Bar	96-070-031
4	Cable Assembly	96-130-320
5	#10-32 X 3/8" Screw	97-132-002
7	#10-32 Nut	98-565-021
8	#6-32 X 1-1/4" Screw	97-192-130
9	#6-32 X 3/4" Screw	97-192-132